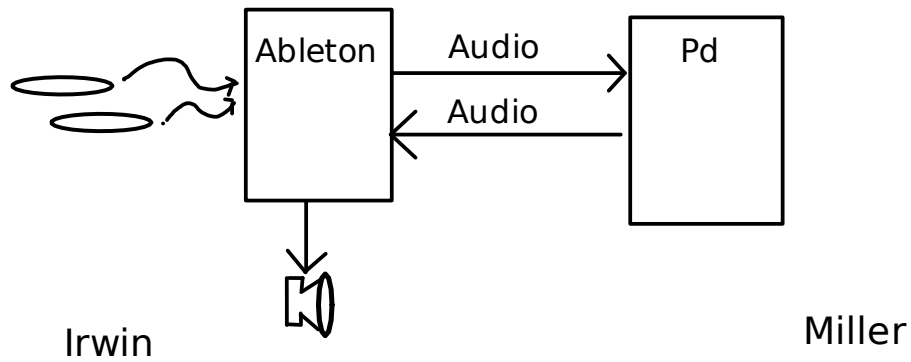


Modular Software and Remote Workflows

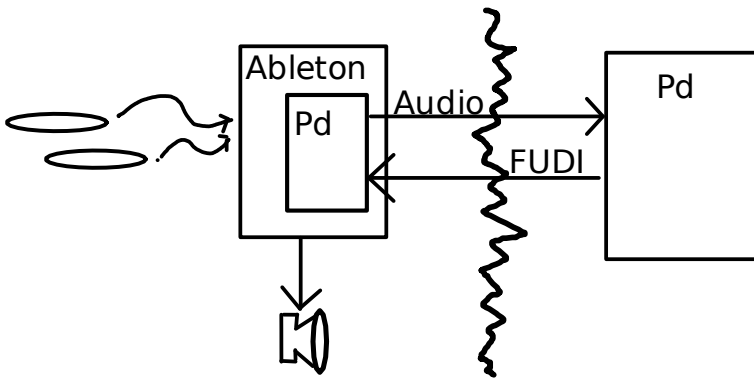
MILLER PUCKETTE + IRWIN

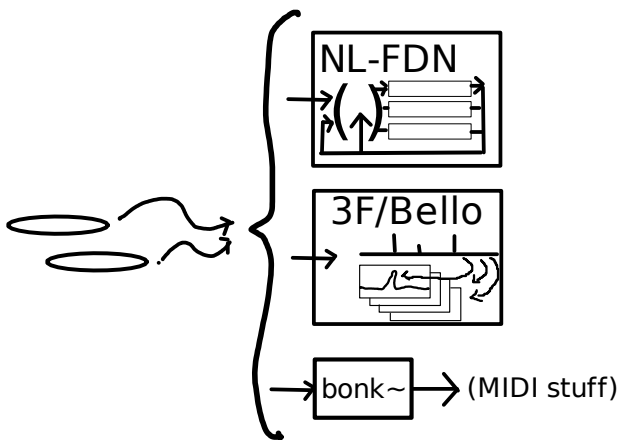
IRCAM Forum Workshops, 2021

Web: msp.ucsd.edu/ideas/2021.03.16.ircam-forum.htm



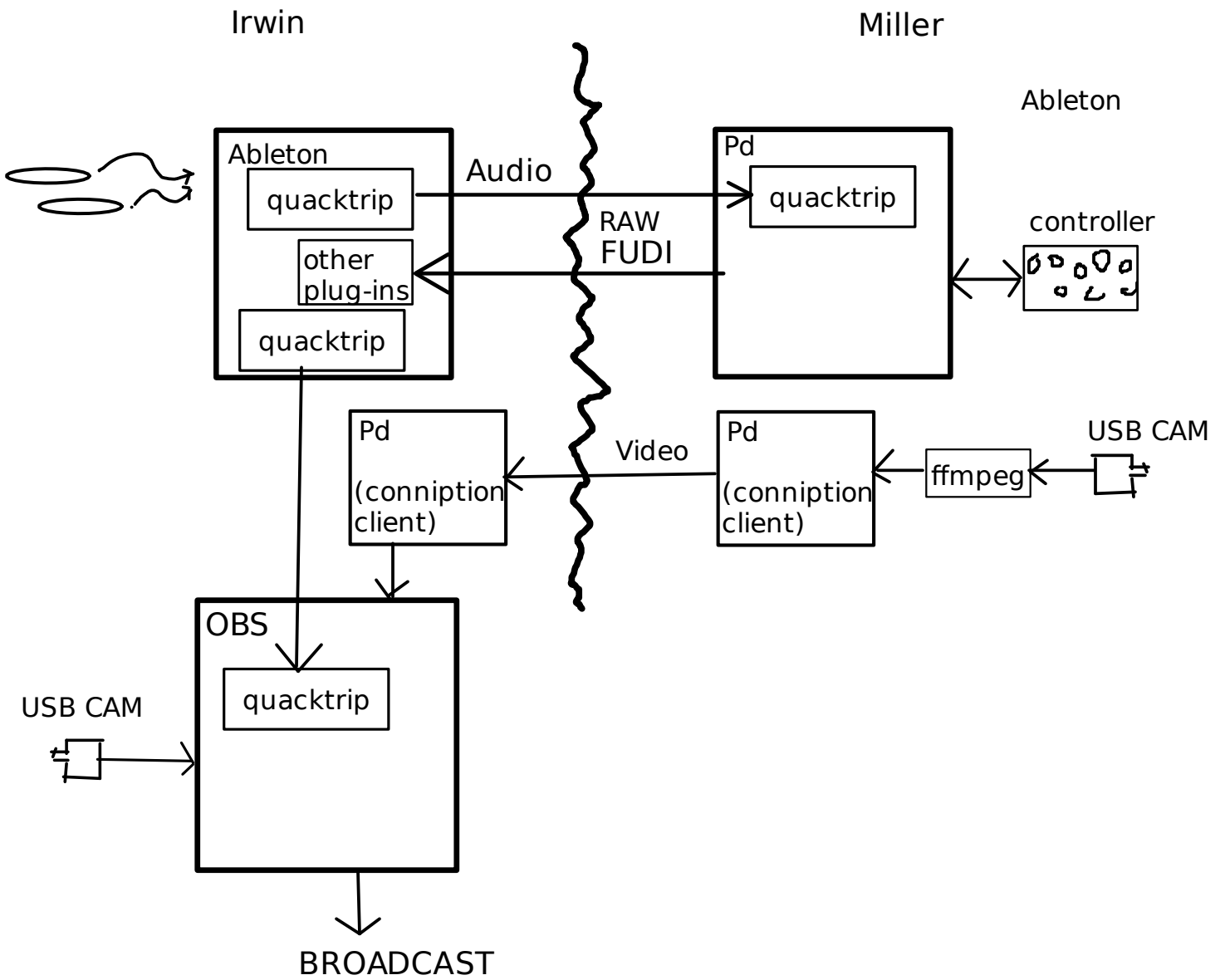
March 18.2020





3F:

$3g-2f$	$3g-f$	$3g$	$3g+f$	$3g+2f$
$2g-2f$	$2g-f$	$2g$	$2g+f$	$2g+2f$
$g-2f$	$g-f$	g	$g+f$	$g+2f$
$-2f$	$-f$	0	f	$2f$
$-g-2f$	$-g-f$	$-g$	$-g+f$	$-g+2f$
$-2g-2f$	$-2g-f$	$-2g$	$-2g+f$	$-2g+2f$



extra rectangles anyone?

