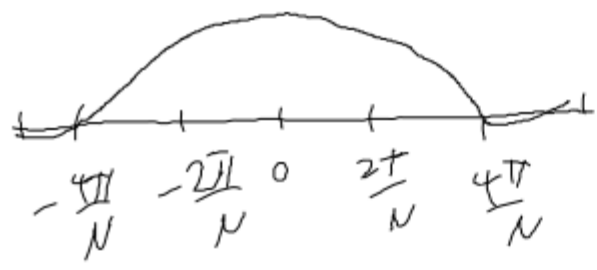
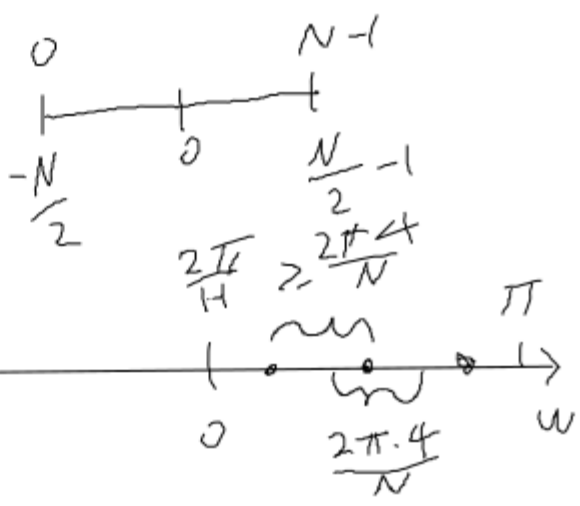
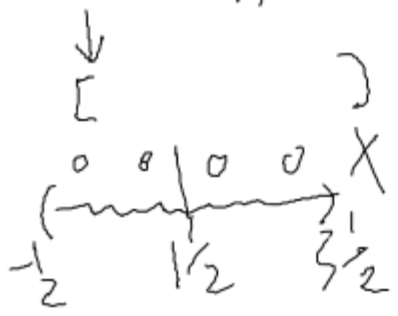


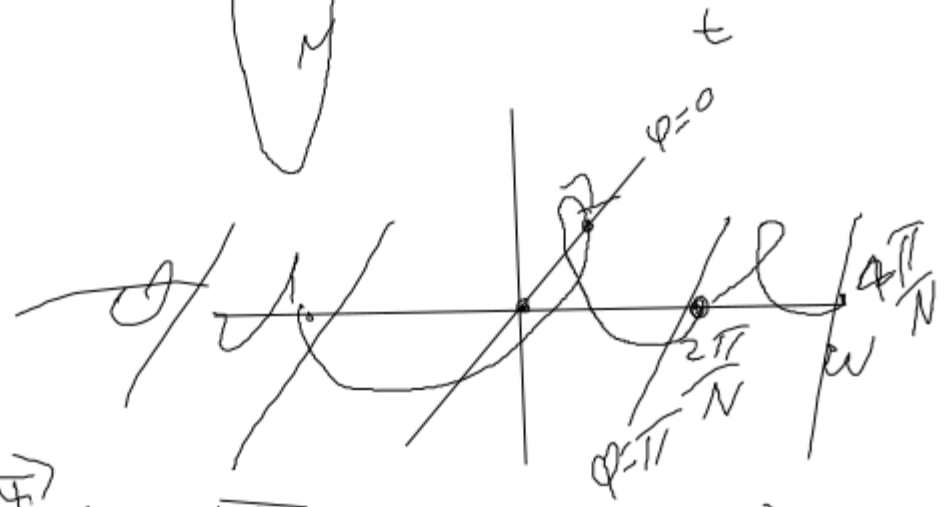
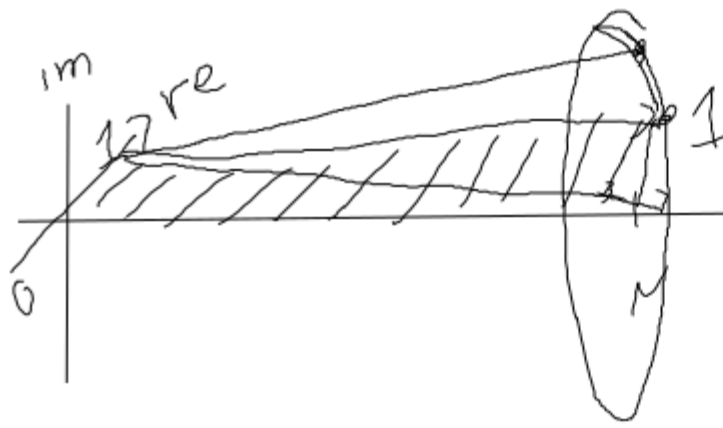
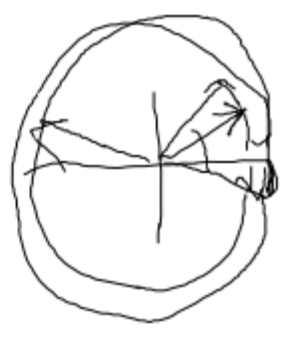
Hann ~~$A(n)$~~ = $\frac{1 - \cos(\frac{2\pi n}{N})}{2}$, $n=0, \dots, N-1$

$\tilde{\omega} = \frac{\varphi(n_2) - \varphi(n_1) + k \cdot 2\pi}{H}$

$H = n_2 - n_1$



$H \leq \frac{N}{4}$



↑
2
↓

